

K831

re-edition, 2017
rasch & einsiedler



K831

re-edition, 2017
rasch & einsiedler



pendant

the K831 lamp is based on a rare 1930s design from kadem.

the re-edition of the K831 was initiated and designed by david einsiedler and joke rasch in 2014.

as it shares midgard's philosophy and values with regard to creating solutions for directional light, it is today produced by midgard in keeping with the brand's traditions and with respect to the then-used materials.

all parts are made in germany and the lamp is manually assembled in hamburg.

pendant with movable lampshade for directional light

manual rotary switch on dome

dome and switch in black bakelite

lampshades are hand-pushed and available in eight finishes

textile cable, 3m

cable available in six colours: black, dark grey, light grey, yellow, orange and red

black canopy enclosed

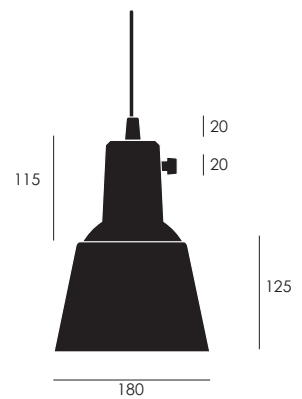
we recommend philips e27 retrofit LED with 2700-3500k and between 6 and 10w (equals 40-60w)

do not use classic or halogen light bulbs with more than 40w

220-240v ~ 50/60hz
appliance class: II

all parts of this lamp are produced in germany and final assemblance is made in hamburg

available in eight different lampshade finishes.



measurements in mm

K831

re-edition, 2017
rasch & einsiedler

aluminium
solid



copper
solid



aluminium
powder-coated (outer surface)



enamelled
lampshade with enamelled interior surface, white



pearl white
RAL 1013



pale green
RAL 6021



cement grey
RAL 7023



black
RAL 9017



anthracite
RAL 7016

enamel colours are manually pigmented; colour differences may occur.
RAL colours are not binding reference values.

textile cable, standard length 3m, available colours:
black, dark grey, light grey, yellow, orange and red.
black canopy enclosed.

K831 is suitable for e27 socket. we recommend philips e27
retrofit LED with 2700-3500k and between 6 and 10w (equals 40-60w).
do not use classic or halogen light bulbs with more than 40w.